

## DESCRIPTION

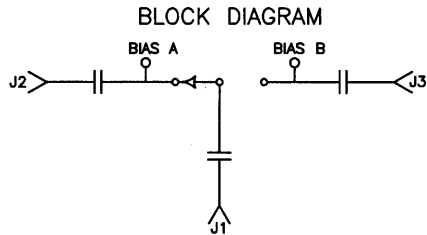
AMC MODEL: SWN-218-2DR-STANDARD OPTION: 10F, CM, PAM IS A REFLECTIVE SINGLE POLE TWO THROW SWITCH DESIGNED TO OPERATE BETWEEN THE 9.5 TO 10.5 GHz FREQUENCY RANGE WITH A  $\pm 5^\circ$  PHASE AMPLITUDE MATCHING BETWEEN THE ARMS.

## SPECIFICATIONS

- FREQUENCY RANGE: ..... 9.5 TO 10.5 GHz
- INSERTION LOSS: ..... 2.0 dB MAXIMUM
- ISOLATION: ..... 60 dB MINIMUM
- VSWR: ..... 2.0:1
- SWITCHING SPEED: .....  $\leq 1$  uSec
- POWER HANDLING: ..... 100 MILLIWATTS
- PHASE MATCHING: .....  $\pm 5^\circ$  ARM TO ARM
- CONTROL: ..... TTL LOGIC "0" = J1-J2 ON  
TTL LOGIC "1" = J1-J3 ON
- POWER SUPPLY: ..... +5V @ 100 mA MAXIMUM  
-5V @ 75 mA MAXIMUM
- CONNECTORS:  
RF: ..... SMA FEMALE  
CONTROL: ..... SOLDER PIN
- SIZE: ..... 1.20" (L) x 1.00" (W) x 0.50" (H)
- WEIGHT: ..... 1.5 OUNCE TYPICAL

## OPTIONS:

- 10F: ..... 9.5 TO 10.5 GHz FREQUENCY RANGE
- CM: ..... SPECIAL FOR CRAIG MABERRY
- PAM: ..... PHASE AMPLITUDE MATCHING



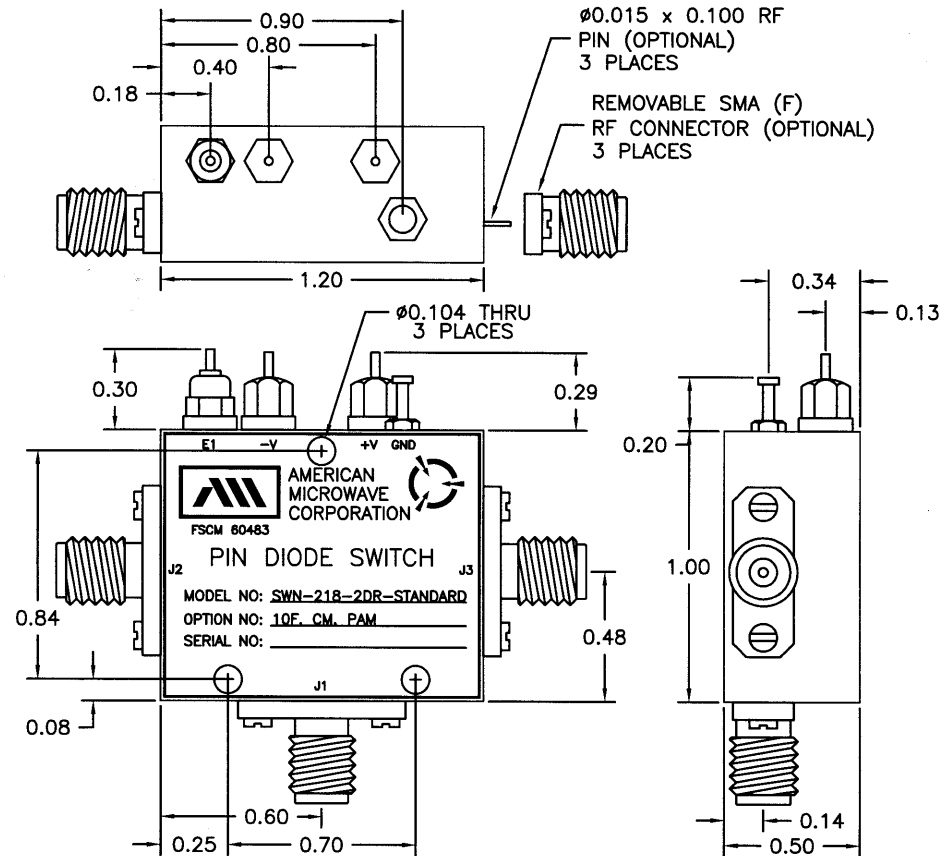
## ENVIRONMENTAL RATINGS:

- TEMPERATURE: ..... -55°C TO +85°C (OPERATING)  
-65°C TO +125°C (STORAGE)
- HUMIDITY: ..... MIL-STD-202F, METHOD 103B COND. B
- SHOCK: ..... MIL-STD-202F, METHOD 213B COND. B
- VIBRATION: ..... MIL-STD-202F, METHOD 204D COND. B
- ALTITUDE: ..... MIL-STD-202F, METHOD 105C COND. B
- TEMPERATURE CYCLE: ..... MIL-STD-202F, METHOD 107D COND. A

NOTE: SPECIFICATIONS WILL VARY OVER OPERATING TEMPERATURE  
NOTE: THE ABOVE SPECIFICATIONS ARE SUBJECT TO CHANGE OR REVISION

ALL DIMENSIONS ARE IN INCHES  
TOLERANCES:  
X.XX  $\pm 0.020$   
X.XXX  $\pm 0.010$

ZONE		REV.	DESCRIPTION	DATE	APPROVED
		-	ORIGINAL RELEASE JOB# 412301-1	1/31/05	



## AMERICAN MICROWAVE CORPORATION

7311-G GROVE ROAD  
FREDERICK, MARYLAND 21704 USA  
TEL: 301-662-4700 FAX: 301-662-4938  
WEBSITE: [www.americanmicrowavecorp.com](http://www.americanmicrowavecorp.com)  
E-MAIL: [sales@americanmicrowavecorp.com](mailto:sales@americanmicrowavecorp.com)  
ISO 9001:2000 CERTIFIED



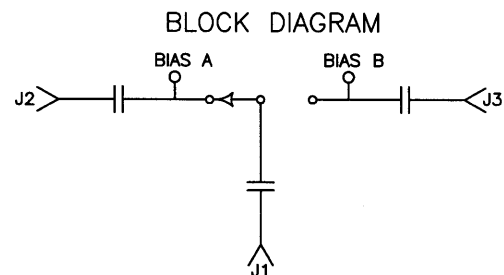
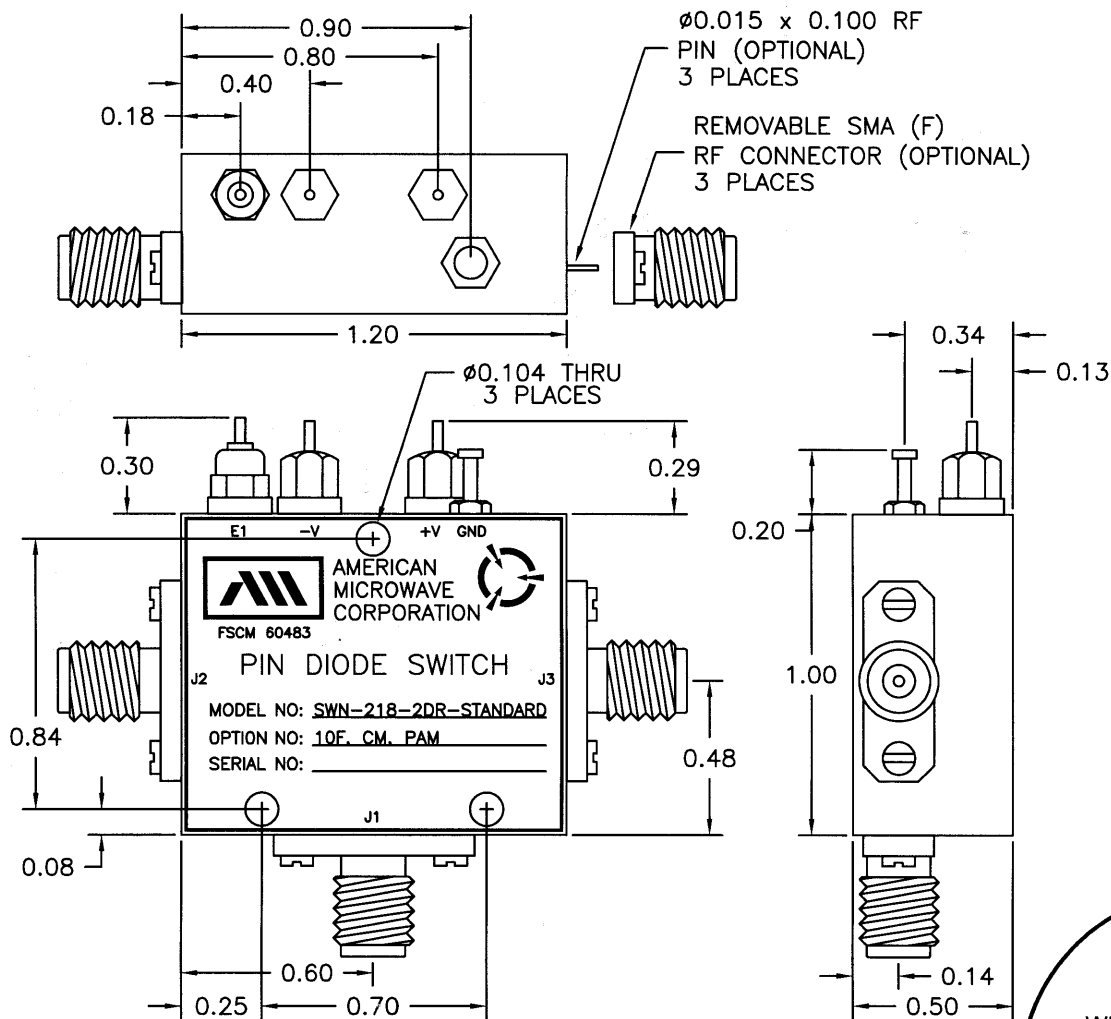
APPROVALS		DATE	TITLE		
DRAWN <i>JDJ</i>		1/31/05	PRODUCT FEATURE SWN-218-2DR-STANDARD OPTION: 10F, CM, PAM 9.5 - 10.5 GHz, SINGLE POLE TWO THROW SWITCH		
CHECKED			SIZE A	FSCM NO. 60483	DWG NO. 100-7321
ISSUED			SCALE N:S		REV. -
					SHEET 1 OF 3

# DESCRIPTION

AMC MODEL: SWN-218-2DR-STANDARD OPTION: 10F, CM, PAM IS A REFLECTIVE SINGLE POLE TWO THROW SWITCH DESIGNED TO OPERATE BETWEEN THE 9.5 TO 10.5 GHz FREQUENCY RANGE WITH A  $\pm 5^\circ$  PHASE AMPLITUDE MATCHING BETWEEN THE ARMS.

REVISIONS				
ZONE	REV.	DESCRIPTION	DATE	APPROVED
	-	ORIGINAL RELEASE JOB# 412301-1	1/31/05	

# MECHANICAL OUTLINE



## AMERICAN MICROWAVE CORPORATION

7311-G GROVE ROAD  
 FREDERICK, MARYLAND 21704 USA  
 TEL: 301-662-4700 FAX: 301-662-4938  
 WEBSITE: [www.americanmicrowavecorp.com](http://www.americanmicrowavecorp.com)  
 E-MAIL: [sales@americanmicrowavecorp.com](mailto:sales@americanmicrowavecorp.com)  
 ISO 9001:2000 CERTIFIED



ALL DIMENSIONS ARE IN INCHES  
 TOLERANCES:  
 X.XX  $\pm 0.020$   
 X.XXX  $\pm 0.010$

APPROVALS		DATE	TITLE		
DRAWN <i>JDJ</i>		1/31/05	MECHANICAL OUTLINE SWN-218-2DR-STANDARD OPTION: 10F, CM, PAM 9.5 - 10.5 GHz, SINGLE POLE TWO THROW SWITCH		
CHECKED			SIZE A	FSCM NO. 60483	DWG NO. 100-7321
ISSUED			SCALE N:S		SHEET 2 OF 3